

# Isocrete Floor Grouts

Fast-cure, cement based floor grouts and underlayments used for the sloping, patching and levelling of concrete substrates.

## Application Suitability

✓	Office Buildings
✓	Retail Stores
✓	Government Buildings
✓	Schools & Colleges
✓	Hospitals
✓	Airports
✓	Prisons
✓	Food & Beverage Plants
✓	Manufacturing Facilities
✓	Warehouses & Distribution Centers
✓	Hospitals & Healthcare Facilities
✓	School & College Buildings
✓	Large Residential Complexes
✓	Retail Stores & Shopping Malls





## Isocrete 1500 (>3/16")

A polymer-modified, cementitious, single component surfacing compound designed for use on new or worn concrete substrates.



### Fast Cure:

Accelerates cure time, providing a trafficable and stainable surface in just 4 hours.



### Strong:

Durable surface achieving a compressive strength of 5,000 psi.



### Moisture Resistant:

Protects against external moisture ingress, condensation and water spillages.



### Excellent Bond Strength:

Acrylic polymer modification produces excellent adhesion.



### Flexible:

Can be overcoated with a variety of finishes including tiles, vinyl and resinous flooring.

### Application Suitability:

Office Buildings	✓
Retail Stores	✓
Government Buildings	✓
Schools & Colleges	✓
Hospitals	✓
Airports	✓
Prisons	✓

### COMPRESSIVE STRENGTH:

ASTM C 109	4 hours: 1,000 psi (6.9 MPa) 24 hours: 2,500 psi (17.2 MPa) 7 days: 4,000 psi (27.6 MPa) 28 days: 5,000 psi (34.5 MPa)
------------	---

### FLEXURAL STRENGTH:

ASTM C 109	7 days: 650 psi (4.5 MPa) 28 days: 850 psi (5.9 MPa)
------------	---

### SHRINKAGE:

ASTM C 348	7 days: -0.056% 28 days: -0.060%
------------	-------------------------------------

### FLOW TIME:

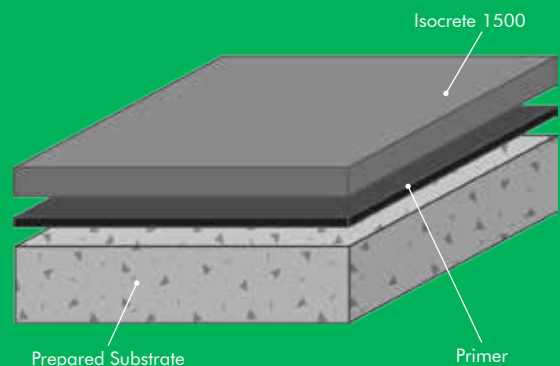
15 minutes

### WORKING TIME:

30 minutes

### SPEED OF CURE:

	50°F	70°F	90°F
Light Traffic	10 hrs	4 hrs	2 hrs
Full Traffic	48 hrs	24 hrs	16 hrs
Full Chemical Cure	35 days	28 days	21 days



## Products Included In This System

<b>Primer:</b>	Isocrete Primer at 200-250 sq ft/gal
<b>Mortar:*</b>	Isocrete 1500 at 25 sq ft/bag at 3/16"

Mortar consists of 50 lb bag Isocrete 1500 and 5 quartz of cool potable water. An additional pint of water may be added if required.

\*Yield with 50% extension by weight with 3/8" clean pea gravel - 0.6 cubic foot ( for applications over 1" depth)

Coverages listed are theoretical, actual coverages may vary based on substrate and site variations. Detailed application instructions are available upon request.

## Installation

Installation should be carried out by a Flowcrete STAR or preferred contractor with a documented quality assurance note. Obtain details of our preferred contractor network from our customer service team or by enquiring through our website. Detailed application instructions are also available upon request.

## Substrate Requirements

Concrete or screed substrate should have a minimum of 3,000 psi compressive strength, free from laitance, dust and other contamination. The substrate should be dry to ASTM requirements and free from excessive moisture vapor transmission.

## Protection on Completion

Ensure the screed is not subject to drafts during the first 6 hours of curing as this may lead to cracking and crazing. Tape up doorways with polythene to prevent air movement. Prevent contamination by following trades, e.g. plastering, including water spillage.

## Technical Profile

The figures and test results shown overleaf are typical properties achieved in laboratory tests at 75°F and at 50% Relative Humidity.

## Environmental Health & Safety

The finished system is assessed as non-hazardous to health and the environment. The long service life and seamless surface reduce the need for repairs and maintenance. Environmental and health considerations are controlled during manufacture and application of the products by Flowcrete Americas' staff and fully trained application teams.

## Drying Time

Moisture sensitive floor finishes can be installed when the screed is dry to 75% RH when tested with a moisture meter like a Delmhorst or Tramex, typically after 24 hours, dependent on ambient conditions. Allow product to harden without drafts then ensure the area has sufficient ventilation to allow the screed to dry.

## Warranty

Flowcrete Americas' products are guaranteed against defective materials and manufacture and are sold subject to our standard 'Warranty, Terms and Conditions of Sale', copies of which can be obtained on request. Warranty does not cover suitability, fit for purpose or any consequential or related damages. Please review warranty in detail before installing the products.

## Disclaimer

Any recommendation or suggestion relating to the use of products manufactured by Flowcrete Americas, whether in its technical literature or in response to a specific inquiry, is based upon data believed to be reliable, however the products and information are intended for use by applicators having requisite skill and know-how in the industry and therefore it is for the applicator to satisfy itself of the suitability of the products for its own particular use and it shall be deemed that the applicator has done so at its sole discretion and risk.

[08/12/16]



## Flowscreed Industrial Top (>3/16")

A hardwearing, heavy duty polymer-modified, cementitious surfacing compound.



### Fast Cure:

Accelerates cure time, providing a trafficable and stainable surface in just 4 hours.



### Strong:

Durable surface achieving a compressive strength of 5,000 psi.



### Heavy Load Bearing:

Superior shear strength under heavy loads and when subject to high traffic conditions.



### Excellent Bond Strength:

Acrylic polymer modification produces excellent adhesion.



### Flexible:

Can be overcoated with a variety of finishes including tiles, vinyl and resinous flooring.

### Application Suitability:

Food & Beverage Processing Plants	✓
Manufacturing Facilities	✓
Warehouses & Distribution Centers	✓
Aircraft Hangars	✓
Automotive Process Lines	✓
Pharmaceutical Plants	✓
Chemical Processing Plants	✓

### COMPRESSIVE STRENGTH:

ASTM C 109	4 hours: 1,000 psi (6.9 MPa) 24 hours: 2,500 psi (17.2 MPa) 7 days: 4,000 psi (27.6 MPa) 28 days: 5,000 psi (34.5 MPa)
------------	---

### FLEXURAL STRENGTH:

ASTM C 109	7 days: 650 psi (4.5 MPa) 28 days: 850 psi (5.9 MPa)
------------	---

### SHRINKAGE:

ASTM C 348	7 days: -0.056% 28 days: -0.060%
------------	-------------------------------------

### FLOW TIME:

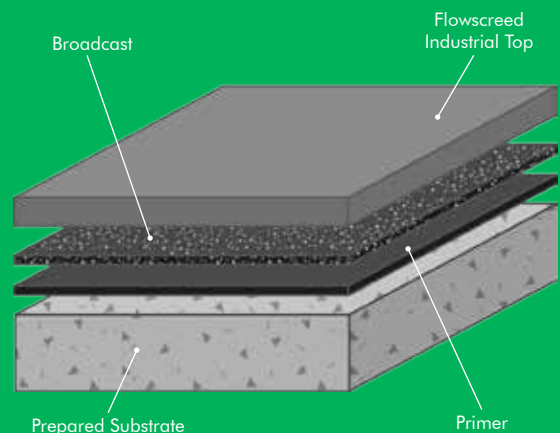
15 minutes

### WORKING TIME:

30 minutes

### SPEED OF CURE:

	50°F	70°F	90°F
Light Traffic	10 hrs	4 hrs	2 hrs
Full Traffic	48 hrs	24 hrs	16 hrs
Full Chemical Cure	35 days	28 days	21 days



## Products Included In This System

<b>Primer:</b>	Flowprime at 175 sq ft/gal
<b>Broadcast:</b>	20/40 sand at 0.3-0.5 lb/sq ft
<b>Mortar:**</b>	Flowscreed Industrial Top at 25 sq ft/bag at 1/4"

Mortar consists of 50 lb bag Isocrete 1500 and 5 quartz of cool potable water. An additional pint of water may be added if required.

\*\*Yield with 50% extension by weight with 3/8" clean pea gravel - 0.6 cubic foot ( for applications over 1" depth)

Coverages listed are theoretical, actual coverages may vary based on substrate and site variations. Detailed application instructions are available upon request.

## Installation

Installation should be carried out by a Flowcrete STAR or preferred contractor with a documented quality assurance note. Obtain details of our preferred contractor network from our customer service team or by enquiring through our website. Detailed application instructions are also available upon request.

## Substrate Requirements

Concrete or screed substrate should have a minimum of 3,000 psi compressive strength, free from laitance, dust and other contamination. The substrate should be dry to ASTM requirements and free from excessive moisture vapor transmission.

## Protection on Completion

Ensure the screed is not subject to drafts during the first 6 hours of curing as this may lead to cracking and crazing. Tape up doorways with polythene to prevent air movement. Prevent contamination by following trades, e.g. plastering, including water spillage.

## Technical Profile

The figures and test results shown overleaf are typical properties achieved in laboratory tests at 75°F and at 50% Relative Humidity.

## Environmental Health & Safety

The finished system is assessed as non-hazardous to health and the environment. The long service life and seamless surface reduce the need for repairs and maintenance. Environmental and health considerations are controlled during manufacture and application of the products by Flowcrete Americas' staff and fully trained application teams.

## Drying Time

Moisture sensitive floor finishes can be installed when the screed is dry to 75% RH when tested with a moisture meter like a Delmhorst or Tramex, typically after 24 hours, dependent on ambient conditions. Allow product to harden without drafts then ensure the area has sufficient ventilation to allow the screed to dry.

## Warranty

Flowcrete Americas' products are guaranteed against defective materials and manufacture and are sold subject to our standard 'Warranty, Terms and Conditions of Sale', copies of which can be obtained on request. Warranty does not cover suitability, fit for purpose or any consequential or related damages. Please review warranty in detail before installing the products.

## Disclaimer

Any recommendation or suggestion relating to the use of products manufactured by Flowcrete Americas, whether in its technical literature or in response to a specific inquiry, is based upon data believed to be reliable, however the products and information are intended for use by applicators having requisite skill and know-how in the industry and therefore it is for the applicator to satisfy itself of the suitability of the products for its own particular use and it shall be deemed that the applicator has done so at its sole discretion and risk.

[08/12/16]



## Isocrete 4000 (1/4" - 4")

A trowel-applied, fast cure and high performance cement base for sloping and patching floors.



### Fast Cure:

Accelerates cure time, providing a walk on surface in just 2 hours.



### Hygienic:

Protein-free formulation prevents the growth and spread of bacteria.



### Trowel Applied:

Hand troweled to fill holes and depressions as well as create slopes.



### Strong:

Can be installed up to 4" thick for areas subject to frequent and heavy traffic.



### Flexible:

Can be overcoated with a variety of finishes including tiles, vinyl and polymer flooring.

## Application Suitability:

Food & Beverage Plants	✓
Manufacturing Facilities	✓
Warehouses & Distribution Centers	✓
Hospitals & Healthcare Facilities	✓
School & College Buildings	✓
Large Residential Complexes	✓
Retail Stores & Shopping Malls	✓

### COMPRESSIVE STRENGTH:

ASTM C 109	3 hrs: 2,500 psi 28 days: 8,000 psi
------------	--

### BOND STRENGTH:

ASTM C 882	1 day: 2,000 psi 7 days: 2,500 psi
------------	---------------------------------------

### LENGTH CHANGE:

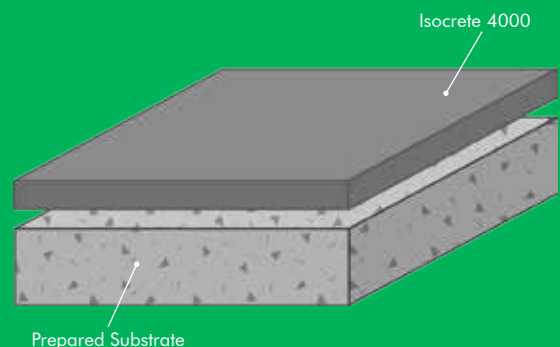
ASTM C 157	28 days wet: +0.03% 28 days dry: +0.05%
------------	--

### CHLORIDE ION PERMEABILITY:

ASTM C 1202	3 days: <500 coulombs 28 days: <300 coulombs
-------------	---

### SPEED OF CURE:

	50°F	70°F	90°F
Light Traffic	4 hrs	2 hrs	1.5 hrs
Full Traffic	8 hrs	4 hrs	3 hrs
Full Chemical Cure	35 days	28 days	21 days



## Products Included In This System

Isocrete 4000 – 50 lb unit  
**Mortar:** Yield\*: 0.42 cubic feet (approx. 10 sq ft per bag at ½")

Mortar consists of 50 lbs of Isocrete 4000 and 4 - 4.5 quarts of water.

\*Yield with 50% extension by weight with 3/8" clean pea gravel – 0.6 cubic foot (for applications over 1" depth).

Coverages listed are theoretical, actual coverages may vary based on substrate and site variations. Detailed application instructions are available upon request.

## Installation

Installation should be carried out by a Flowcrete STAR or preferred contractor with a documented quality assurance note. Obtain details of our preferred contractor network from our customer service team or by enquiring through our website. Detailed application instructions are also available upon request.

## Substrate Requirements

Concrete or screed substrate should have a minimum of 3,000 psi compressive strength, free from laitance, dust and other contamination. The substrate should be dry to ASTM requirements and free from excessive moisture vapor transmission.

## Protection on Completion

Ensure the screed is not subject to drafts during the first 6 hours of curing as this may lead to cracking and crazing. Tape up doorways with polythene to prevent air movement. Prevent contamination by following trades, e.g. plastering, including water spillage.

## Technical Profile

The figures and test results shown overleaf are typical properties achieved in laboratory tests at 75°F and at 50% Relative Humidity.

## Environmental Health & Safety

The finished system is assessed as non-hazardous to health and the environment. The long service life and seamless surface reduce the need for repairs and maintenance. Environmental and health considerations are controlled during manufacture and application of the products by Flowcrete Americas' staff and fully trained application teams.

## Drying Time

Moisture sensitive floor finishes can be installed when the screed is dry to 75% RH when tested with a moisture meter like a Delmhorst or Tramex, typically after 24 hours, dependent on ambient conditions. Allow product to harden without drafts then ensure the area has sufficient ventilation to allow the screed to dry.

## Warranty

Flowcrete Americas' products are guaranteed against defective materials and manufacture and are sold subject to our standard 'Warranty, Terms and Conditions of Sale', copies of which can be obtained on request. Warranty does not cover suitability, fit for purpose or any consequential or related damages. Please review warranty in detail before installing the products.

## Disclaimer

Any recommendation or suggestion relating to the use of products manufactured by Flowcrete Americas, whether in its technical literature or in response to a specific inquiry, is based upon data believed to be reliable, however the products and information are intended for use by applicators having requisite skill and know-how in the industry and therefore it is for the applicator to satisfy itself of the suitability of the products for its own particular use and it shall be deemed that the applicator has done so at its sole discretion and risk.

[08/12/16]